

Leynew products including DMX series, DALI series, WIFI series, Intelligent electric series, Dimmer series, RF series, dream color series, indoor and outdoor lighting control system series etc. Please kindly contact us for more details and we will reply a.s.a.p.

DMX master controller(touch screen)



Working temperature: -20-60°C

Power supply voltage: DC5V

External dimension: 240*150*22mm

Packing size: 250*230*32mm

Net weight: 719g

Gross weight: 815g

Screen specification: 7-inch, pixel 800*480

Touch way: capacitance

Output: 36CH DMX signal

Standby power consumption:10W

Functions: DMX touch screen master controller is a kind of lighting controller which is based on intelligent system. The touch screen adopts the popular capacitive touch technology, It is a control panel using software virtual metallic. This software is easy to use and very simple for user-defined settings. It can realize a variety of lighting control effect quickly and easily.

Model:DMX500

USB-DMX512 controller



USB-DMX512 controller connect with the USB interface of computer, through the friendly operation interface of computer, in order to achieve the aim of controlling lamps, It has a lot of advantages such as easy operation and simple to use .

Normal DMX512 channels output, adopt DC/DC power insulation and photo electricity insulation.

Normal DMX512 channels input, adopt DC/DC power insulation and photo electricity insulation.

Support windows XP /2000 /98se operation system, windows XP identify automatically,

Plug-and-play without installing drivers.

USB interface connect with computer, computer interface supply power directly,

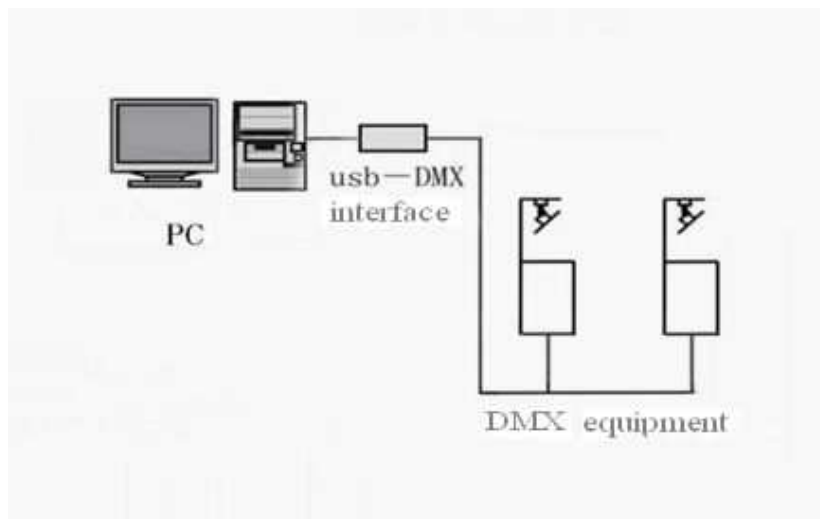
the maximum working current is 135mA.

Build random storage, data transfer smoothly.

PC lamp control software adopt powerful PC FreeStyle lamp control software, it can upgrade constantly。 Software Distribution

Model: LN-USB-DMX

Typical Application Diagram:



High-voltage DMX controller
(with LCD display)



Work temperature: -20-60°C

Supply voltage: AC100-240V(50Hz/60Hz)

External dimension: L203 * W134 * H50 mm

Packing size: L310 * W170 * H60 mm

Net weight: 0.77kg

Gross weight: 1.22kg

Output: 3 channels
anode

Connection mode: common

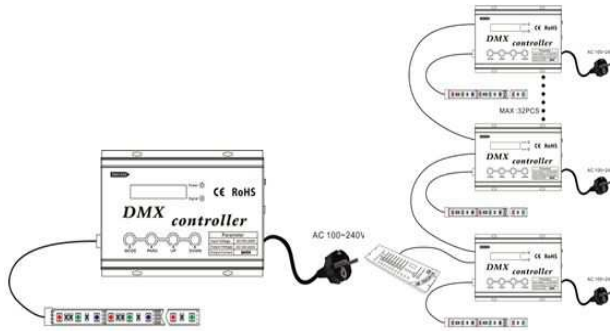
Static power consumption: <3.96W

Output current: 3*2A

Dimming frequency: 800Hz

Max. output power: 660W(input voltage 110V),
1320W (input voltage 220V)

Model: DMX300



High-voltage DMX controller with LCD display is a kind of controller with LCD digital display interface, used for control the RGB color change of 4 line 3 channels(common anode) LED lamps, up to 34kinds of change programs to choose, at the same time can accept DMX-512 international standard digital control.

Controller can be stand-alone operation, automatically online, accept standard DMX512 console control signal etc. method to work. According to the customer's actual demand, can achieve jumpy changing, gradual changing, stroboscopic such change effect.

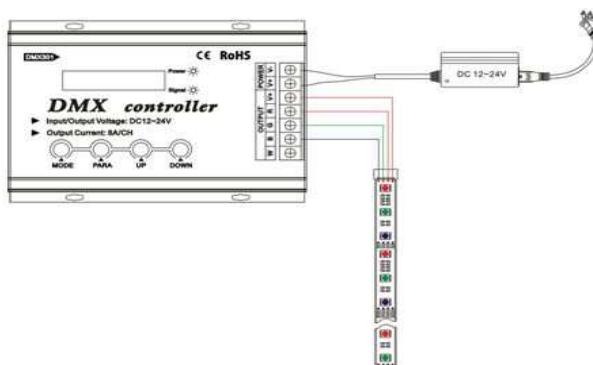
Low-voltage DMX controller (with LCD display)



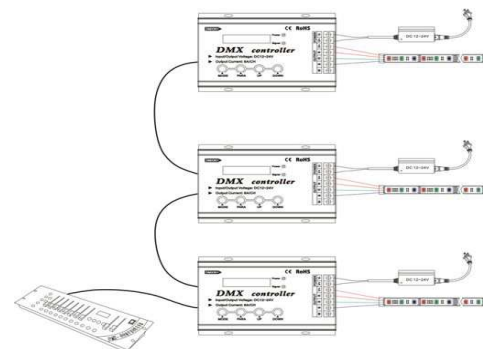
Work temperature: -20-60°C Supply voltage: DC12-24V
 External dimension: L203 * W134 * H50 mm
 Packing size: L255 * W155 * H60 mm
 Net weight: 0.59kg Gross weight: 0.75kg
 Output: 3 channels
 Working frequency: 300Hz
 Connection mode: common anode
 Output current: <8A / each channel
 Max. output power: 12V:<288W, 24V:<576W

Model: DMX301

Typical Application Diagram 1---Without DMX function:



Picture 2---With DMX function:

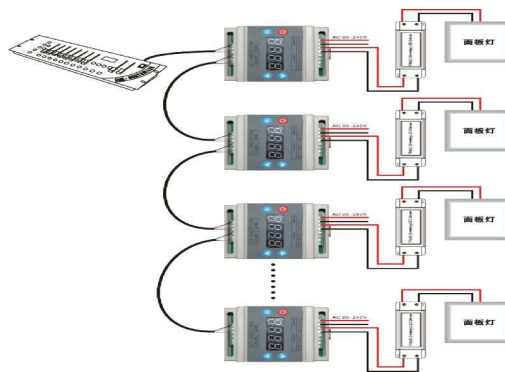


DMX triac dimmer



Working temperature: -20-60°C
Power supply voltage: AC90-240V (50Hz/60Hz)
External dimension: L87XW71.7XH53.7mm
Packing size: L100*W80*H65mm
Net weight: 145.3g Gross weight: 178.3g
Output: 3 channel Output signal: 1 channel phase control output
Single channel max output current: <1A
Static power consumption: <1W Guide rail size: 35mm
Model: DMX302

Typical Application Diagram:

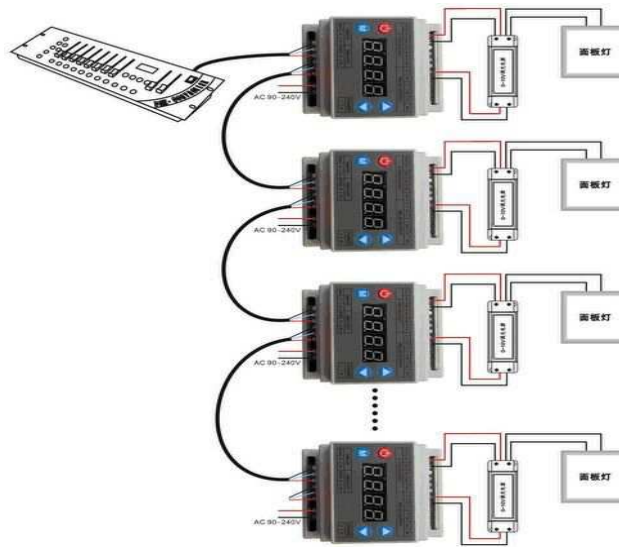


DMX high voltage 0-10V dimmer (3 channels)



Work temperature: -20-60°C
Supply voltage: AC100-240V(50Hz/60Hz)
External dimension: L87 * W71.7 * H53.7 mm
Packing size: L110 * W80 * H65 mm
Net weight: 145.3g Gross weight: 178.3g
Output: 3 channels Output signal: 0-10V signal
Output current (each channel) : <0.15A
Static power consumption: <1W
Guide rail size: 35mm
Model: DMX303

Typical Application Diagram:



DMX touch panel decoder with 2.4G remote control



Work temperature: -20-60°C Supply voltage: DC12-24V
 External dimension: L86 * W86 * H41.8 mm
 Packing size: L115 * W110 * H56 mm
 Net weight: 226.7g Gross weight: 291.3g
 Output: 3 channels Static power consumption: <1W
 Transmitting frequency: 2.4GHz Remote distance: about 30m
 Output current: <4A / each channel
 Output power: 12V:<144W, 24V:<288W

Model: TM083

DMX module



Work temperature: -20-60°C
 Supply voltage: DC12V, DC24V (order Indicate required voltage)
 Size: 72*38*26 mm Packing size: 105*65*40 mm
 Carton size: L500*W275*H310mm
 Net weight: 40g Gross weight: 75g
 Output: 3 channels Connection mode: common anode
 Static power consumption: <1W
 Output current: <2A(each channel)
 Output power: 12V:<72W, 24V:<144W

Model: DMXMODEL-3CH

<p>DMX controller (waterproof)</p> 	<p>Work temperature: -20-60°C Supply voltage: DC12V-24V External dimension: L95XW52XH30mm Packing size: L145XW95XH50mm Carton size: L500*W275*H310mm Net weight: 175g Gross weight: 210g Output: 3 channels Connection mode: common anode Static power consumption: <1W Output current: <4A (each channel) Output power: 12V<144W, 24V<288W</p> <p>Model: DMXTCON(FS)-3CH</p>
<p>DMX-SPI Decoder with display</p> 	<p>Work temperature: -20-60°C Supply voltage: DC5V-24V External dimension: L175XW53XH27mm Packing size: L180XW58XH55mm Carton size: L500*W275*H310mm Net weight: 256.5g Gross weight: 292.3g Output: SPI signal(DATA, CLK)</p> <p>Model: DMX201</p>
<p>Strip DMX decoder</p> 	<p>Work temperature: -20-60°C Supply voltage: DC5V-24V External dimension: L175*W53*H27mm Packing size: L180*W58*H55mm Output: 3 channel Connection mode: common anode Net weight: 300g Gross weight: 350g Output current: <5A (each channel) Output power: 5V<75 W, 12V<180W, 24V<360W</p> <p>Model: DMX101</p>

DMX signal distributor
(output 4channels)



Work temperature: -20-60°C
Supply voltage: AC100~240V (50~60HZ)
External dimension: L241*W109.5*H37.5mm
Packing size: L270*W170*H68mm
Carton size: L430*W375*H320mm
Net weight: 700g Gross weight:1100g
Rated power: 4W Input signal: 1channel DMX512 signal
Output signal: 4channel DMX512 signal output, Output port can be connected to the most 32pcs equipment
Isolation voltage between input/output interface: >1000V
Cascade number: the most can cascade 16pcs signal amplifier
Model: DMX124

DMX signal distributor
(output 8channels)



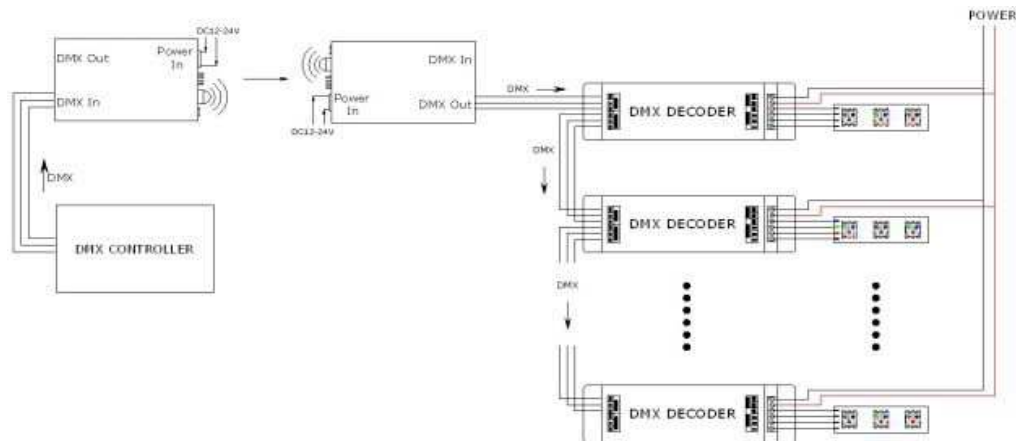
Work temperature: -20-60°C
Supply voltage: AC100~240V (50~60HZ)
External dimension: L375*W153*H40mm
Packing size: L410*W250*H83mm
Carton size: L430*W375*H320mm
Net weight: 1.95kg Gross weight:2.5kg
Rated power: 7W Input signal: 1channel DMX512 signal
Output signal: 8channel DMX512 signal output, Output port can be connected to the most 32pcs equipment
Isolation voltage between input/output interface: >1000V
Cascade number: the most can cascade 16pcs signal amplifier
Model: DMX128

2.4G-DMX Signal converter
(receive and sent)



Work temperature: -20-60°C Supply voltage: DC12-24V
External dimension: L146*W95*H50mm
Packing size: L130*W66*H46 mm
Net weight: 182g Gross weight: 285g
Supports most channel number: 512
Emission power: 20dBm Wireless frequency: 2.4GHz
Max transmission distance: 200M
Model: DMX2400

Typica Application Diagram:



DMX Multi-channel controller



Work temperature: 0-70°C Supply voltage: DC12-24V
 External dimension: L340XW142XH57 mm
 Packing size: L350XW180XH65 mm
 Net weight: 1.5kg Gross weight: 1.6kg
 No-load current consumption: <0.25A (12V) ;<0.30A(24V)
 Control signal input: DMX-512 standard digital control signals
 Output channel: 24 channels Connection mode: common anode
 Output current: <2A(each channel)
 Output power: 12V:<576W, 24V:<1152W

Model: DMXTCON-24CH

DMX-24 channels constant current controller



Work temperature:-20-60°C Supply voltage: AC110-220V
 Output: DC48V External dimension:L440*W275*H45mm
 Packing size: L570*W345*H75mm Net weight: 3.1kg
 Gross weight:3.9kg Control signal input:DMX-512
 Out put channles: 24 channels Connection mode: common anode
 Output:24 channels, each channel 350mA / 500mA/700mA(can choose)

Model: DMX103

Common control system host



Work temperature: -20-60°C

Input voltage: AC90-260V

Rated power: Min 5.7W – Max 6.4W

Display resolution:400x240

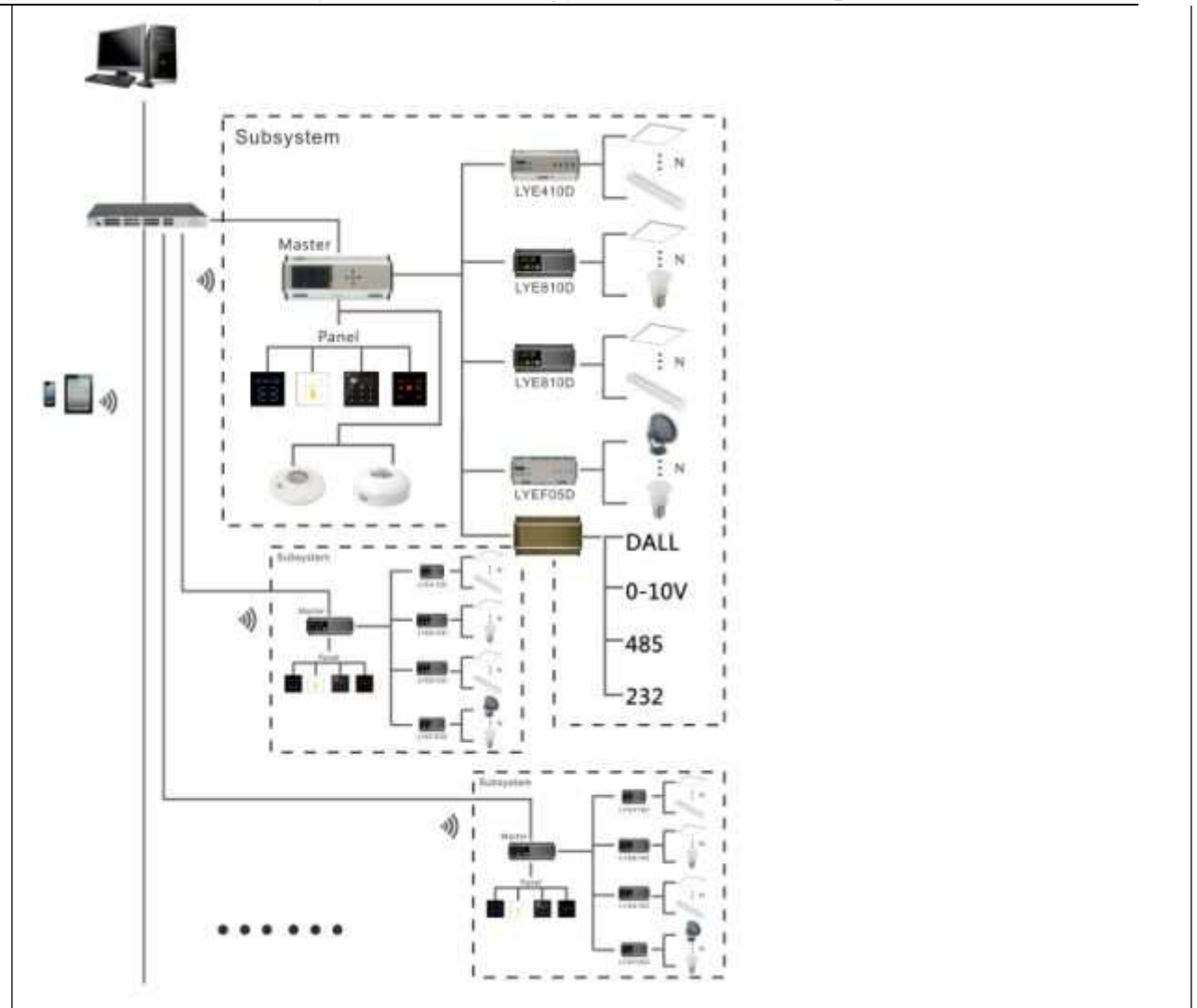
Control way: RTP and botton

Input:EDX signal

Output: DMX512 signal

Model:DMX100E

Common control system is one set of intelligent lighting control system we design for hotel lighting,building lighting etc indoor and outdoor lighting control, whole solution design based on user friendly and individualization. Can monitor whole system via PC network, monitor working condition of each subsystem; Coordinated control with DALI system, DMX system, Multimedia Central Control System, 485 bus, TCP/IP. Can extend to whole home or commercial lighting intelligent control system.



10 key glass touch control panel



Work temperature:-20-60℃
Supply voltage:DC12V-24V
Output:1 channel
Net weight:100g
Gross weight:130g
External dimension:L86XW86XH34mm
Packing size: L122XW85XH42mm
Output current:<8A
Output power:12V<144W,24V<288W
communication protocol:EDX (RS-485)

Model:DMX206E

4 channel/5A guide rail type
0-10Vdimmer



Input Voltage: AC100-240V,
Output: Each channel5A
communication protocol : EDX/DMX-51
Work temperature: -20-60°C
Rated power: <2W
Installation: 5mmguide rail
Signal connector: 4 PIN Green terminal 5.0mm
Output: 4channel PWM (common cathode) 50mA/CH ,
4channel0~10V
size:198(W)×90(H)×62(D)mm

Model: DMX306E

8 channel/5A guide rail type
0-10V dimmer



Input Voltage: AC100-240V,
Output: Each channel5A
communication protocol : EDX/DMX-51
Work temperature: -20-60°C
Rated power: <2W
Installation: 5mmguide rail
Signal connector: 4 PIN Green terminal 5.0mm
Output: 8channelPWM (common cathode) 50mA/CH , 8
channel 0~10V
Size:198(W)×90(H)×62(D)mm

Model: DMX308E

4 channel 20A EXP guide rail type
switch controller



Input Voltage: AC100-240V
Output: Each channel5A
communication protocol : EDX/DMX-51
Work temperature: -20-60°C
Rated power:
Installation: 5mmguide rail
Signal connector: 4 PIN Green terminal 5.0mm
Size: 198(W)×90(H)×62(D)mm

Model:DMX314E

8 channel 20A EPX guide rail type
switch controller



Input Voltage: AC100-240V,
Output: Each channel20A
communication protocol : EDX/DMX-51
Work temperature: -20-60℃
Rated power:
Installation: 5mmguide rail
Signal connector: 4 PIN Green terminal 5.0mm
Size:198(W)×90(H)×62(D)mm

Model:DMX318E